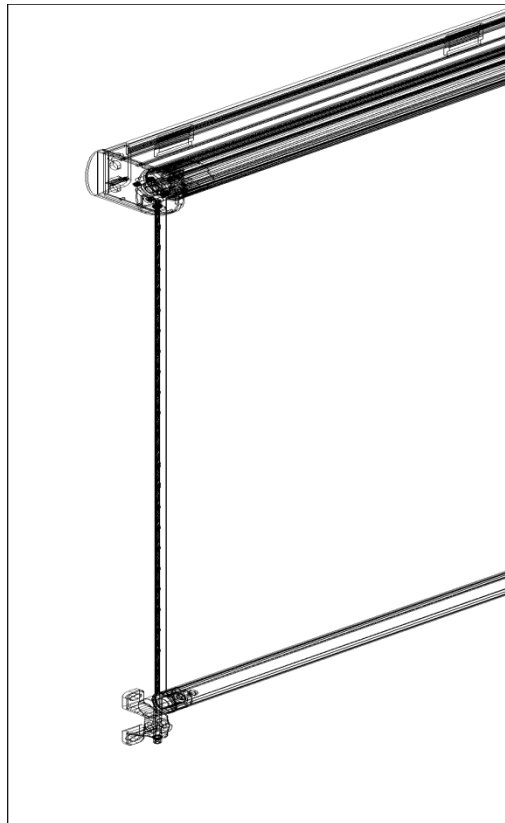


Mounting and User Instructions for GR520-1



Content

Packing List.....	2
Product Description.....	2
Safety Instructions.....	3
Preparations.....	5
Mounting.....	5
Usage.....	11
Maintenance.....	13
Cleaning.....	13
Dismounting.....	14
Storage.....	14



Attention:

Read this instruction manual carefully and completely before mounting and usage. Keep this manual for future reference.

Dear Customer,

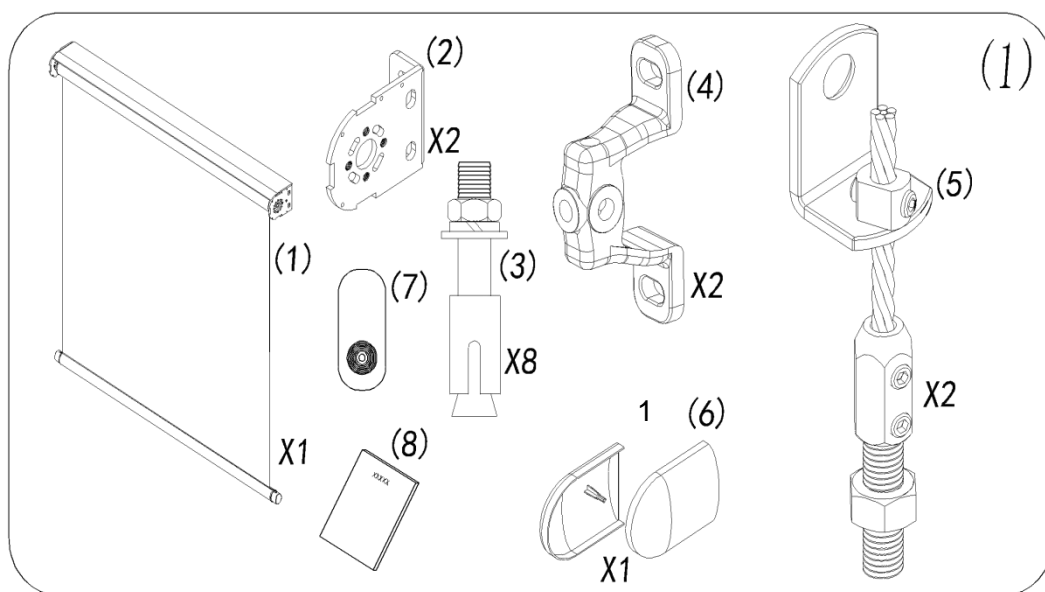
congratulations and thank you for buying an awning out of GR520-1 . To enjoy this product for a long time

and for your own and the safety of other people please obey the mounting instructions.

Before you start mounting and using the awning, please get familiar with this product. Make sure all parts listed up in below packing lists are delivered and intact. If you find that there are parts missing or damaged please do not install the awning but contact your dealer. Do not start the mounting if parts are missing our defect.

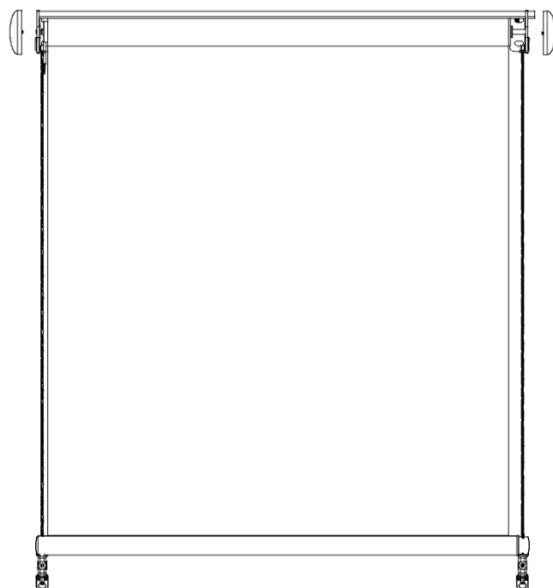
Packing List

You should find following parts in the package as dawning (1).



Product Description

Vertical awnings are framework constructions that are mounted on building walls. The construction can be extended by a crank and is covered by a fabric shade that provides sun protection and visual cover. Your awning has been designed and developed to be used in private households, do not use it as rain shelter.



Important Safety Instructions

Warning: For your own and the safety of other persons it is important to follow below instructions and obey warnings.

Symbol explanation



This warning triangle calls attention to hazards that can lead to death or to severe injuries or which are important for the functioning of the awning.



This sign identifies important notes.

Safety instructions



To install this awning technical knowledge is necessary. Do not mount this awning yourself but contact a professional workman for help if

- ◆ you are unsure if the awning can be mounted on the place you chose for installation.
- ◆ you do not understand the instruction manual or parts of it.
- ◆ you do not have necessary tools available.
- ◆ you do not have necessary technical knowledge



A minimum of two healthy adults are required to move and install the awning as the product is big and heavy. Do not try to install the awning alone. If the awning falls, it could cause serious injuries and damages! Contact an authorized assembler for help.



Do not install the awning when you find damage parts are that parts are missing.
Contact your dealer.



Keep children and pets out of the working area during assembly and adjustments.



This product and its fixing parts are only suitable for installation on a plain cement wall or stable unrendered brickwork. If the wall/brickwork shows cracks you have to consult a professional.



If your building has an exterior shell (such as insulation, double brick wall, brick

facing), installation should be taken out by a professional.



Nobody is allowed to change the products' design and structure without the permission of manufacture or authorized deputy.



Please make sure that your hands are clean at the time of the assembly; otherwise you may soil the awning fabric and frame.



The operation in frosty conditions may damage the awning.



The operation in snowy conditions may damage the awning.



Nobody is allowed to climb onto the awning. Hanging anything on the awning is forbidden.



Sheeting was used to protect the paint. This must be removed afterwards.



When extended, various forces, including wind and rain, will affect an awning. These sometimes substantial forces must be absorbed by the awning and transferred to the assembled structure via its mounting brackets. Under extreme loads, excessive attractive force can be exerted on the anchor bolts. Therefore, **before starting assembly, check the load-bearing capacity of the mounting base and if necessary take corresponding measures to ensure stable installation of the brackets.**

If the mounting base is unstable, you have to consult a specialist in your vicinity.

Preparations

Make sure that no children and pets are present during mounting. They could get hurt by laid out parts or tools.

Carefully remove the awning from the box and remove the protectors from the awning. Remove the plastic bags and plastic guards from the awning and carefully place the awning aside to avoid having it damaged by scratches or otherwise damaged or soiled during assembly. Check the number of parts in the packaging whether the packing list requirements, the quality of parts availability issues, if questions, please contact the supplier.



Be aware the sudden extension may occur during unpacking.

Tools needed for assembly:

- ✓ Drill
- ✓ Masonry drill bit, 14 mm
- ✓ Level
- ✓ Wrench 14 mm,
- ✓ Stepladder
- ✓ Tape measure
- ✓ Chalk or marker pen or pencil
- ✓ Wooden hammer

Mounting and usage



Mounting on a concrete or brick wall

The awnings must be installed on a reinforced concrete wall or massive brickwork. Please ask professionals for help if you are not sure.

If your building has an exterior shell (such as insulation, double brick wall, brick facing), installation should be taken out by a professional.

If the wall/brickwork shows cracks you have to consult a professional.



Make sure the wall/ceiling is plain, so that bracket seats solidly.



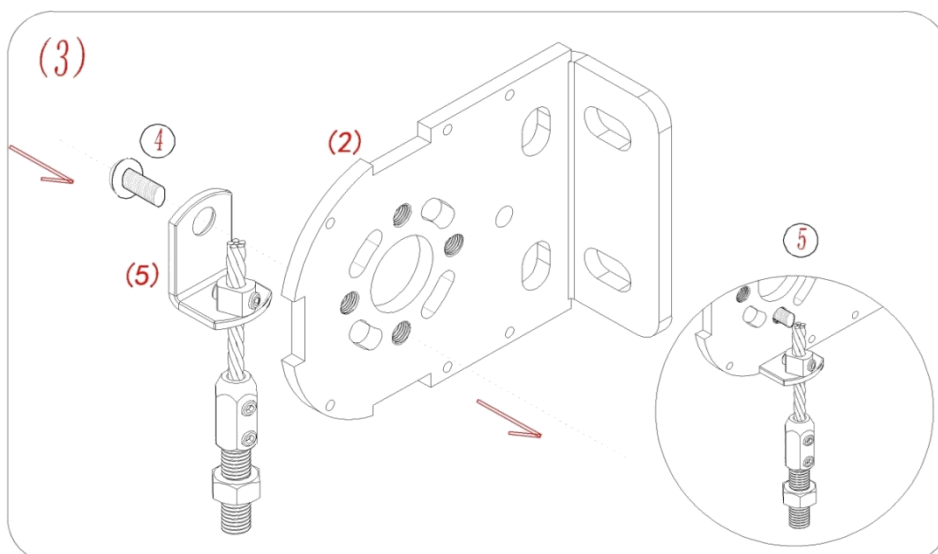
WARNING! Two healthy adults with technical knowledge are needed to move and install the awning.



For safe and smooth installation think about where you will be securing the awning to the wall before you start drilling holes.

Step 1: fastening "L" bracket and shipped bolt well, as drawing (3).

- ④ Shipped bolt
- ⑤ Assembled drawing



Step 2: Use tape to measure the two brackets holes distance as drawing (4).

W= Awning overall width P= Awning overall dropping distance

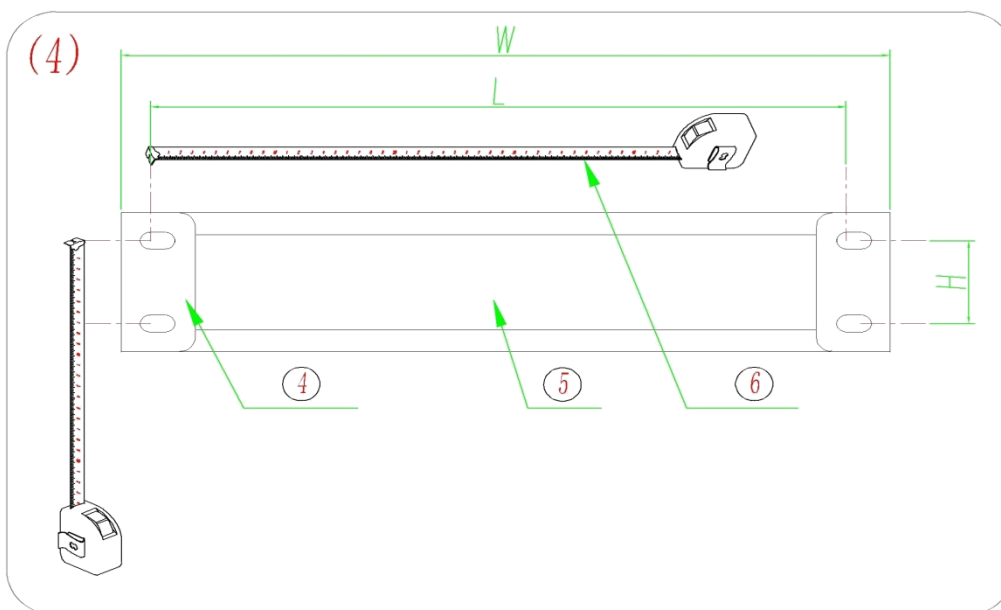
L= Holes distance of two brackets

1.W=295cm	P=250cm	L=245cm
2.W=395cm	P=250cm	L=345cm
3.W=500cm	P=250cm	L=450cm

④ Bracket

⑤ Awning

⑥ Tape



Step 3: Confirm the awning size you purchased and use pencil to mark the position for drilling the holes for expansion bolts as drawing (5).

⑦ Tape

⑧ Pencil

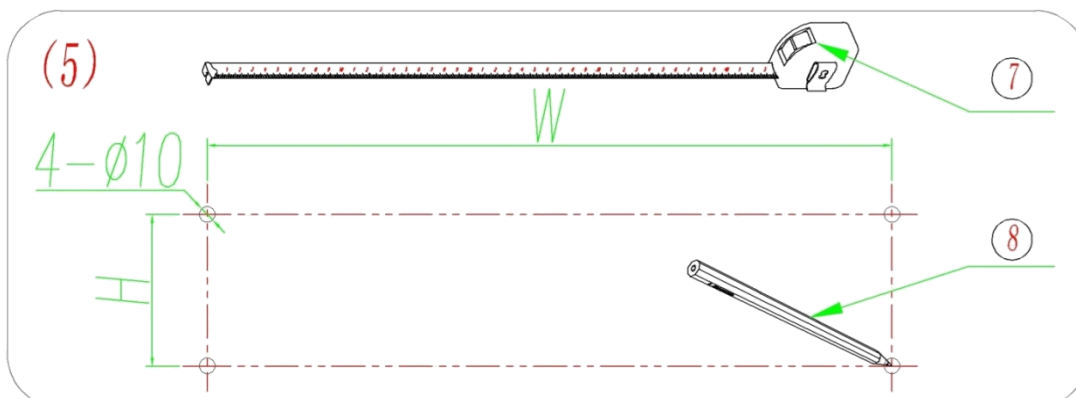
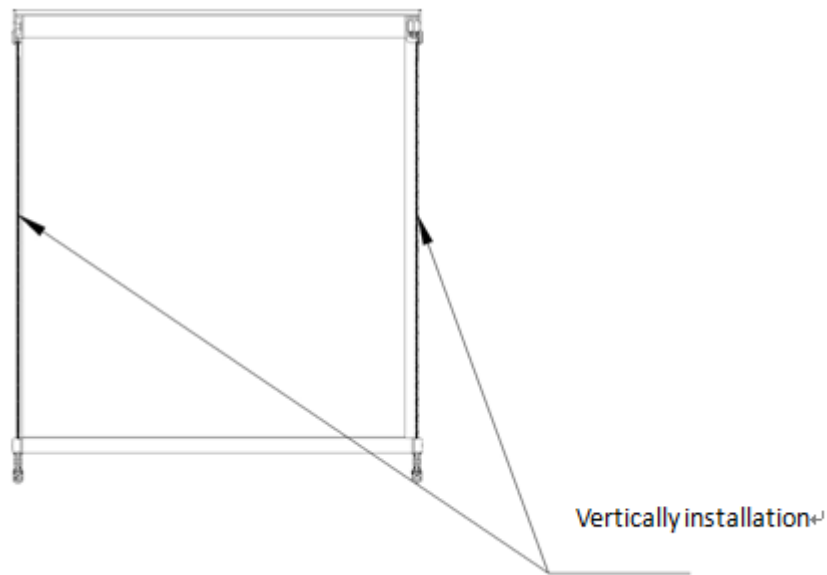


Figure 1:

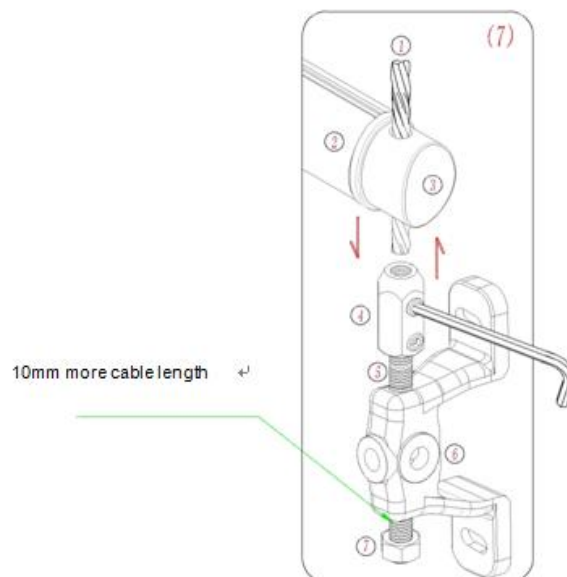
Use 14-mm masonry drill bit to drill 100mm deep holes.

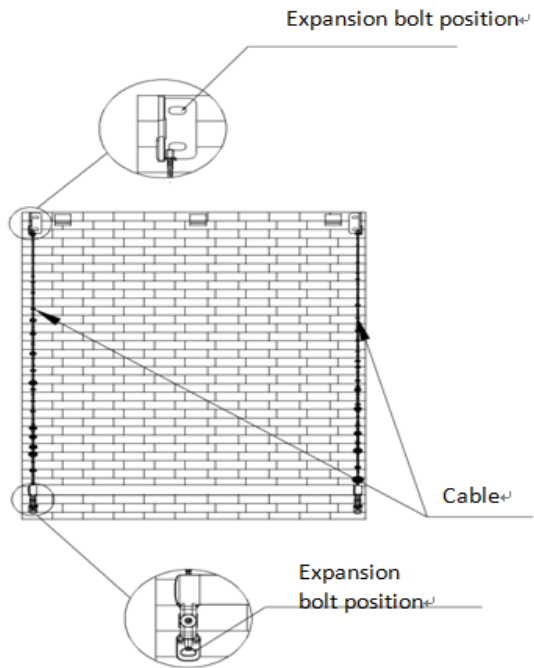
Step 4: Ensure that awning will be horizontal level after mounting awning drawing below.



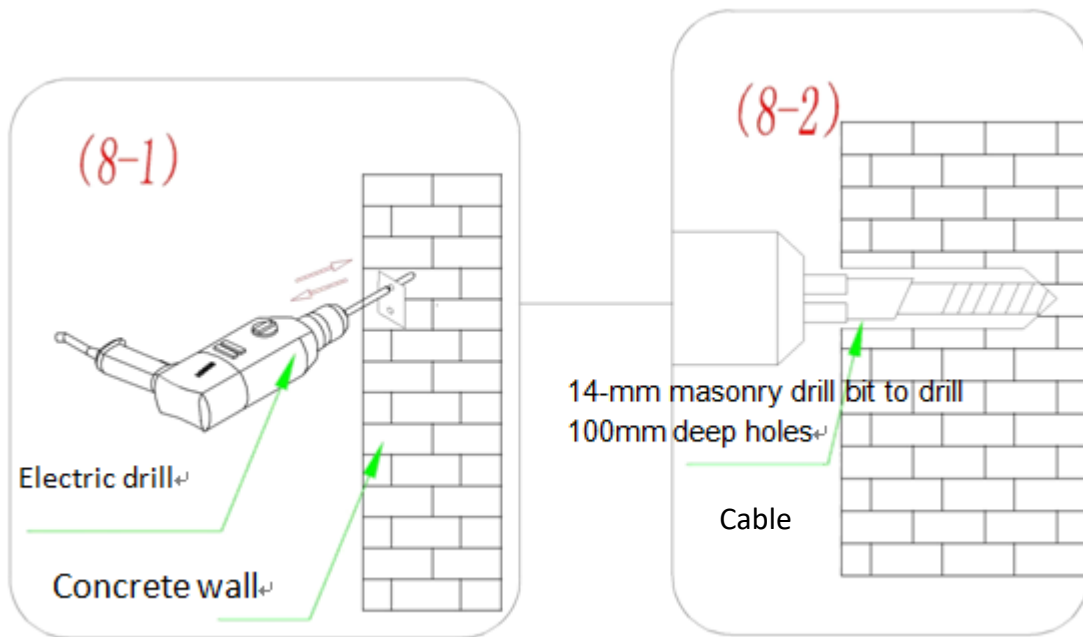
Step 5: Loosen the screws on bottom lock and insert the cable into front bar end cap and then fasten the screws well as drawing (7). 10mm more cable length for adjusting needs.

- ① Cable
- ② Front bar
- ③ Front bar end cap
- ④ Bottom Lock
- ⑤ Bolt
- ⑥ Base bracket
- ⑦ Nut

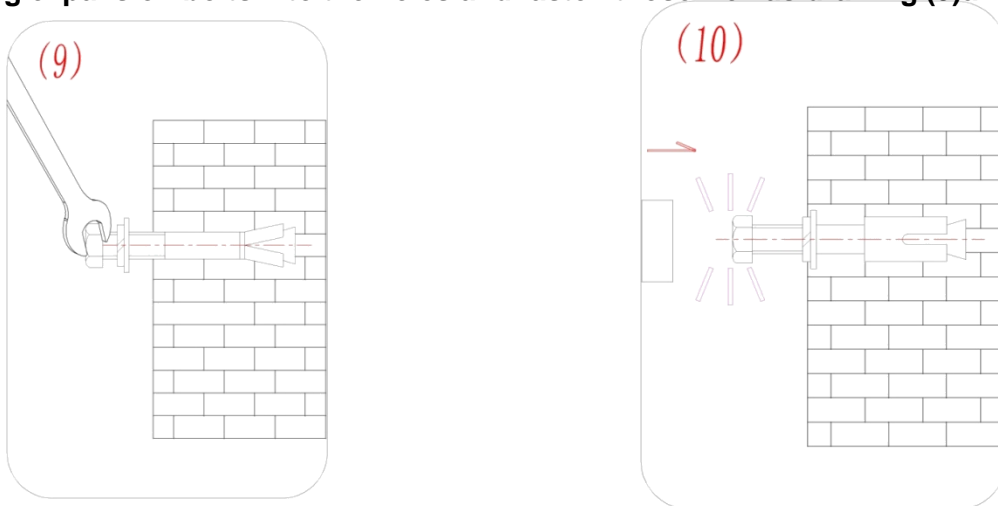




Step 6: Use electric drill to make holes on the marked positions as drawing (8-1) and (8-2) .

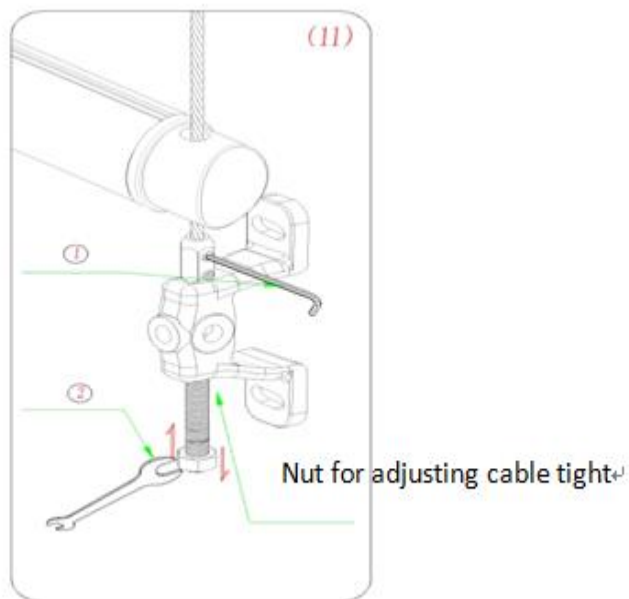


Step7: Inserting expansion bolts into the holes and fasten those well as drawing (9)and (10).

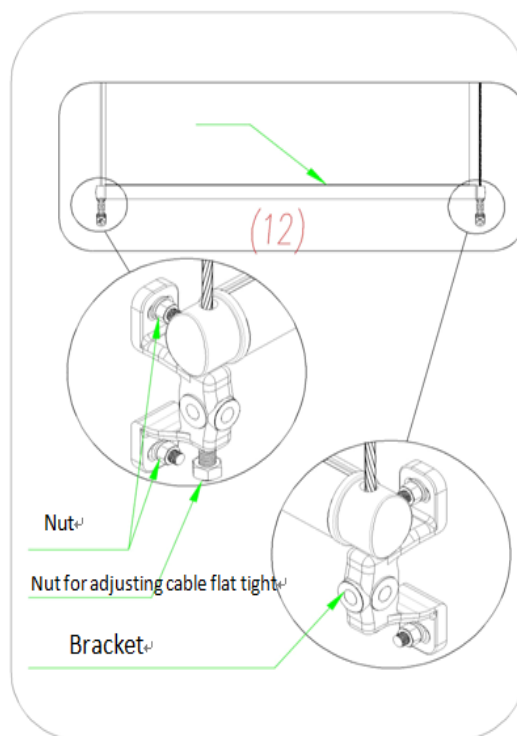


Step7: After fasten the screws for bottom lock as drawing (11).

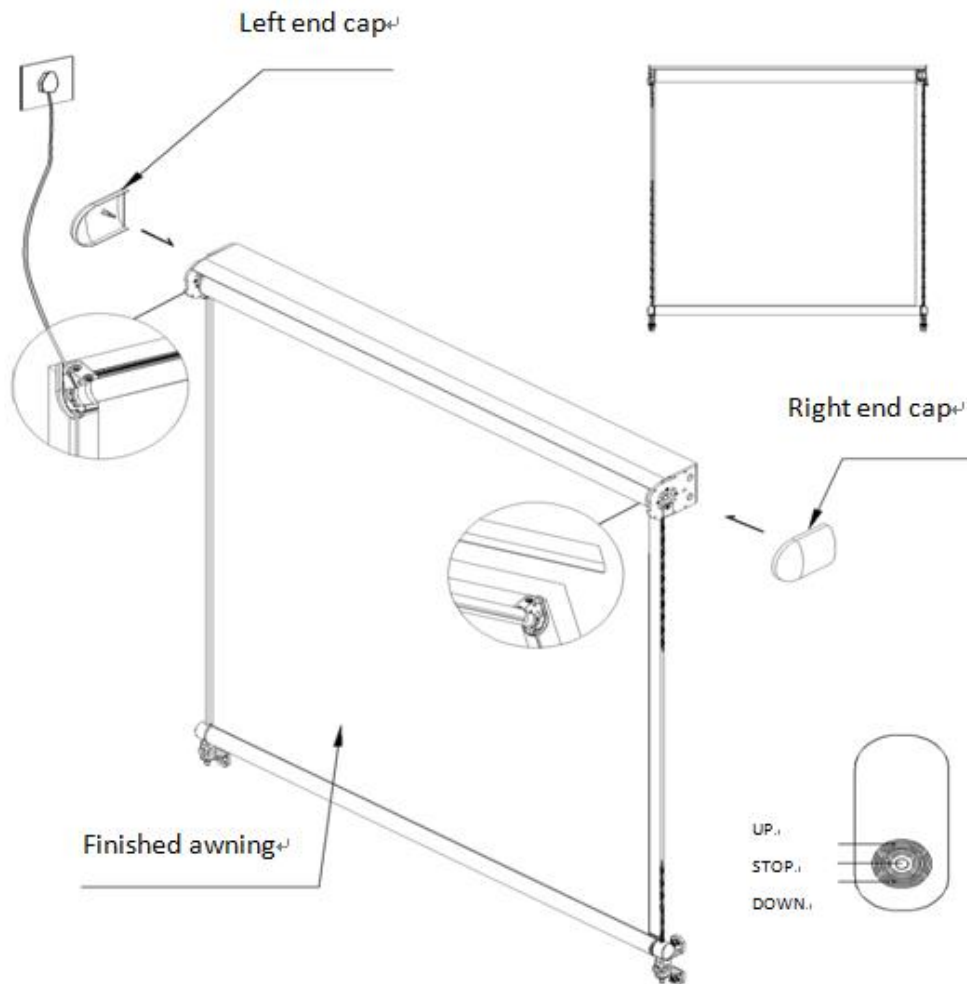
- ①Hex wrench
- ②Adjustable wrench



Step8: fasten bottom bracket by expansion bolts as drawing (12).



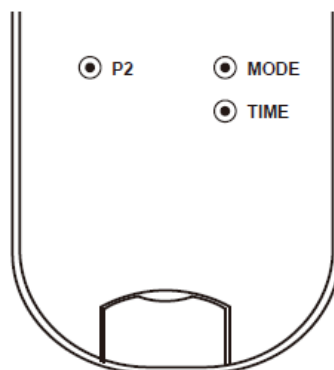
Step8: Install the left and right end caps as drawing (12).




How to use the engine to fold in and out the awning If there is no signal from motor?


1) First turn off the power of the awning. Press the P2 button on the back of the remote control, Then press the stop button on the front of the remote control, then press the P2 button again. Make sure the beep is heard.


2) First turn off the awning, then turn it on, make sure the beep is heard, then press the P2 button twice, then press the button once. Make sure the beep is heard. Then press the Down button again. The awning should be opened.




 **The awnings are intended as a protection against the sun only.** It is not to be used during periods of strong wind, rain, hail, or snow. In case of such conditions, retract the awning immediately.

 **Never allow children to play with the awning.**

 **Be sure the fabric is tensioned.** If the fabric is not tensioned during extension, please turn counter-clockwise until the fabric is tensioned.

 **Do not put any objects or parts of your body e.g. hands, in the awning while extending and retracting. Hazard of crush!**

 Take out the crank handle from loop after adjusting the awning as you wish and put it on a place that is not reachable for children to avoid that they play with the awning.

Maintenance

Regular maintenance will not only help to keep a long durability but also is important for your own and the other people's safety.

- ◆ Check the bracket and Hangs Taiwan bolt regularly if they all keep tight
- ◆ Check the electrical machine running normally, if find any problem, please stop use the awning .
- ◆ Examine the bolts and nuts once in half a year, fasten them if loose or lax.
- ◆ Stop using the awning immediately if is has been damaged or it is not tighten properly.

Please contact an authorized service center for repair and if you have any further questions.

Normally it is not necessary to lubricate moving parts of the awning. However, if it will become necessary on day, e. g. because of abnormal noise or because extracting is difficult, do only use lubricants that can be used for plastic materials, do not use lubricants that are based on petroleum.

Use a straw attached to the spray nozzle. Lubricate generously the area between the end of the roller tube and the end bracket (pivot pin). Take care not to overspray on the fabric material.

Cleaning

Frame: Over time, dust and dirt will collect on the frame and will require periodic cleaning to maintain its appearance.

A mild spray cleaner or water/detergent mixture may be applied to the frame to clean it. Wipe dust off with a damp cloth. Do not use aggressive detergents e. g. to clean oil residues.

Fabric: Clean the fabric every six months.

Only use natural soap, never use chemical detergents. Water should be cold to lukewarm. Let the fabric dry completely. Do not use heating appliances e. g. hairdryer for drying.

Dismounting

When you don't want to use the awning anymore or if you want to dispose it one day you have to demount it.

Attention! At least two healthy adults are need for this step.

- ◆ Retract the awning completely before you begin with dismounting. Bind the arms of the awning together to avoid unintended unfolding. This might cause damage and injury. You can use the protection band that was fixed on the awning when purchasing it.
- ◆ Follow the mounting instructions in reversed order to dismount the awning.
- ◆ Make sure that drilling holes in the wall will be sealed professional.
- ◆ **Attention! Safety hints and instructions have to be followed for dismounting as well.**

Storage

When you do not want to use the awning for a longer period of time it is recommended to take the awning out of the brackets and store it.

- ◆ Make sure that the fabric is dry completely before storing. Storing a wet fabric can cause spots and damage.
- ◆ Store the awning at a dry and safe place that is not reachable for children.

Disposal

Do not dispose this awning with other household wastes. To prevent possible harm to the environment or human health from uncontrolled waste disposal, recycle it responsibly to promote the sustainable reuse of material resources. To return your used device, please use the return and collection systems or contact the retailer where the product was purchased. They can take this product for environmental safe recycling. Dispose packing materials according to local guidelines.